

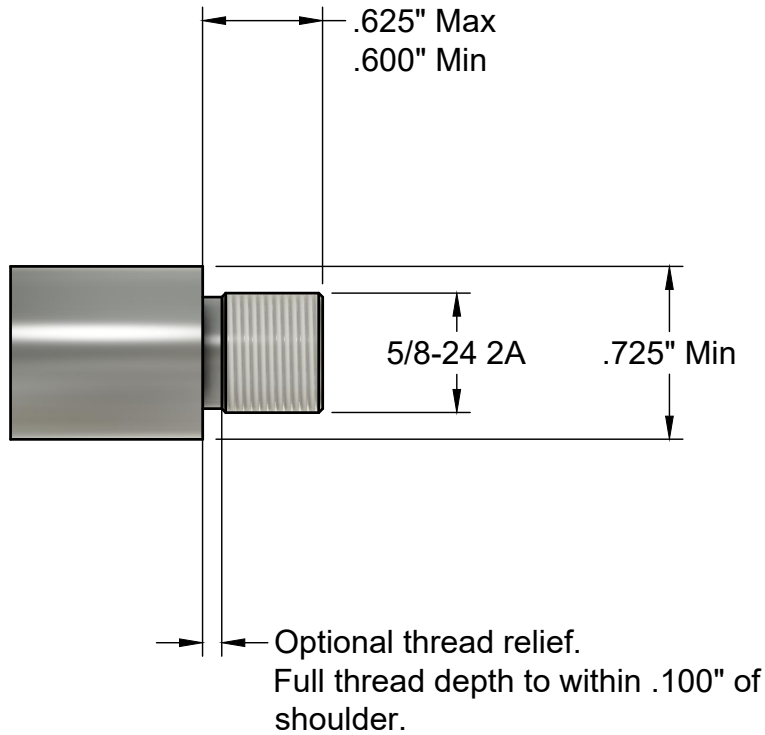
Ensure firearm is completely unloaded prior to installation.

Ensure the muzzle brake bore matches or exceeds your caliber of use.

Install muzzle brake and tighten with tensioning key, remove tensioning key from muzzle brake after tightening.

The end user is solely responsible for the safe use of the product.

5/8-24 2A  
Major Diameter .6238" - .6166"  
Minor Diameter .5742" Max  
Pitch Diameter .5967" - .5927"



PROJECT

**Spearhead muzzle brake 5/8-24**

TITLE

**Spearhead Machine**

APPROVED

SIZE

CODE

DWG NO

REV

CHECKED

A

DRAWN

Spearhead

11/15/2021

SCALE Do not scale

WEIGHT

SHEET 1/1

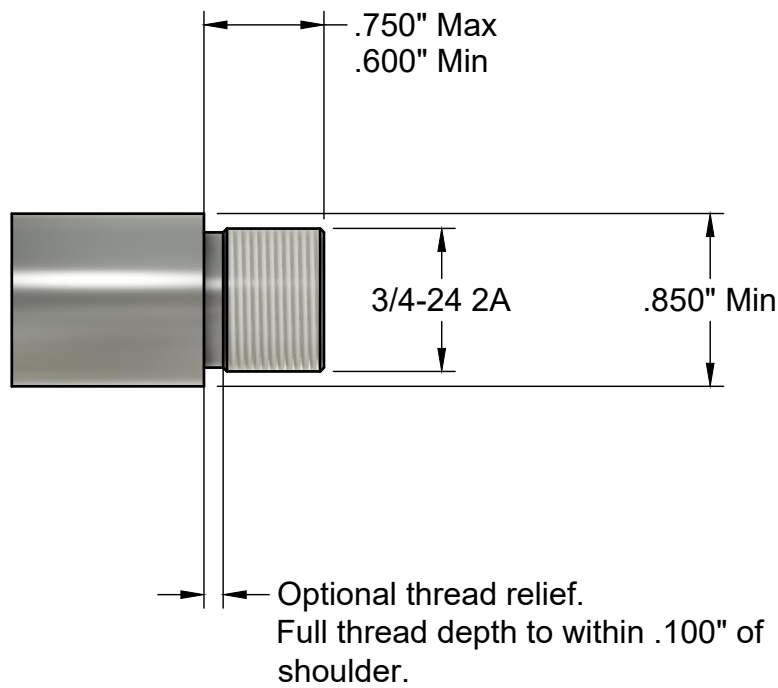
Ensure firearm is completely unloaded prior to installation.

Ensure the muzzle brake bore matches or exceeds your caliber of use.

Install muzzle brake and tighten with tensioning key, remove tensioning key from muzzle brake after tightening.

The end user is solely responsible for the safe use of the product.

3/4-24 2A  
Major Diameter .7488" - .7416"  
Minor Diameter .7037" Max  
Pitch Diameter .7217" - .7176"



PROJECT

**Spearhead muzzle brake 3/4-24**

TITLE

**Spearhead Machine**

APPROVED

SIZE

CODE

DWG NO

REV

CHECKED

A

DRAWN

Spearhead

11/15/2021

SCALE Do not scale

WEIGHT

SHEET 1/1