

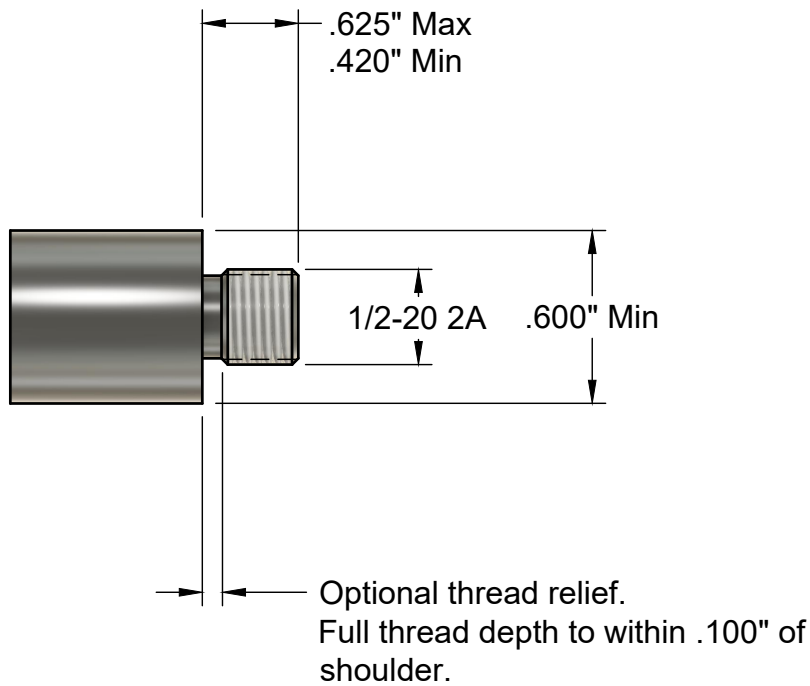
Ensure firearm is completely unloaded prior to installation.

Ensure the muzzle brake bore matches or exceeds your caliber of use.

Install muzzle brake and tighten with tensioning key, remove tensioning key from muzzle brake after tightening.

The end user is solely responsible for the safe use of the product.

1/2-20 2A
Major Diameter .4987" - .4906"
Minor Diameter .4392" Max
Pitch Diameter .4662" - .4619"



PROJECT

Spearhead muzzle brake 1/2-20

TITLE

Spearhead Machine

APPROVED

SIZE

CODE

DWG NO

REV

CHECKED

A

DRAWN

Spearhead

11/15/2021

SCALE Do not scale

WEIGHT

SHEET 1/1

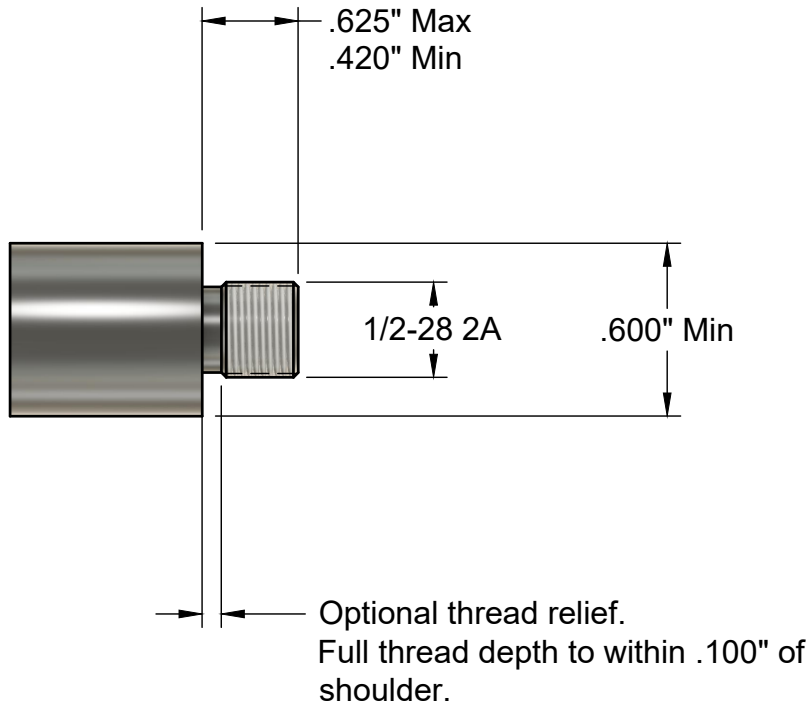
Ensure firearm is completely unloaded prior to installation.

Ensure the muzzle brake bore matches or exceeds your caliber of use.

Install muzzle brake and tighten with tensioning key, remove tensioning key from muzzle brake after tightening.

The end user is solely responsible for the safe use of the product.

1/2-28 2A
Major Diameter .4989" - .4924"
Minor Diameter .4563" Max
Pitch Diameter .4757" - .4720"



PROJECT

Spearhead muzzle brake 1/2-28

TITLE

Spearhead Machine

APPROVED

SIZE

CODE

DWG NO

REV

CHECKED

A

DRAWN

Spearhead

11/15/2021

SCALE Do not scale

WEIGHT

SHEET 1/1

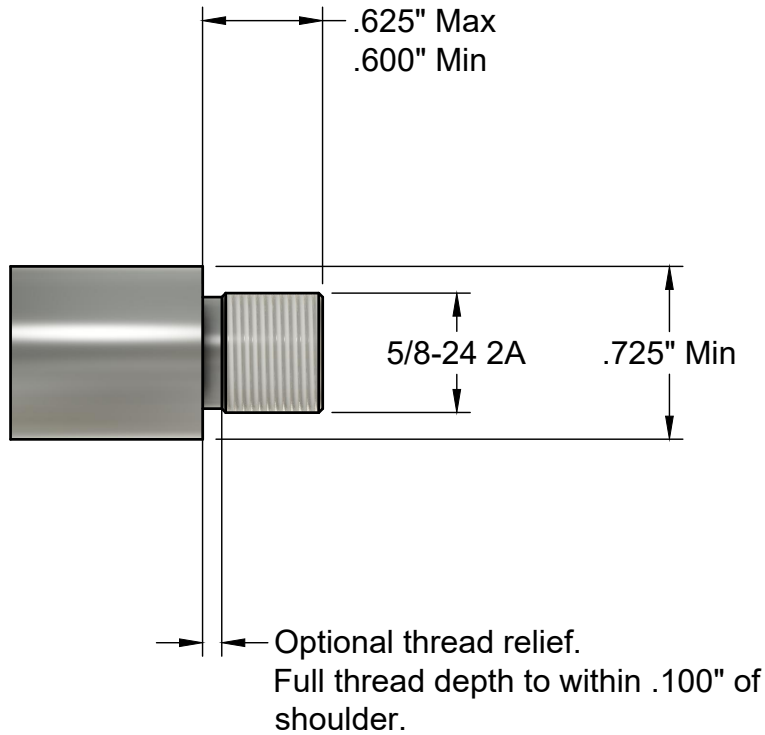
Ensure firearm is completely unloaded prior to installation.

Ensure the muzzle brake bore matches or exceeds your caliber of use.

Install muzzle brake and tighten with tensioning key, remove tensioning key from muzzle brake after tightening.

The end user is solely responsible for the safe use of the product.

5/8-24 2A
Major Diameter .6238" - .6166"
Minor Diameter .5742" Max
Pitch Diameter .5967" - .5927"



PROJECT

Spearhead muzzle brake 5/8-24

TITLE

Spearhead Machine

APPROVED

SIZE

CODE

DWG NO

REV

CHECKED

A

DRAWN

Spearhead

11/15/2021

SCALE Do not scale

WEIGHT

SHEET 1/1

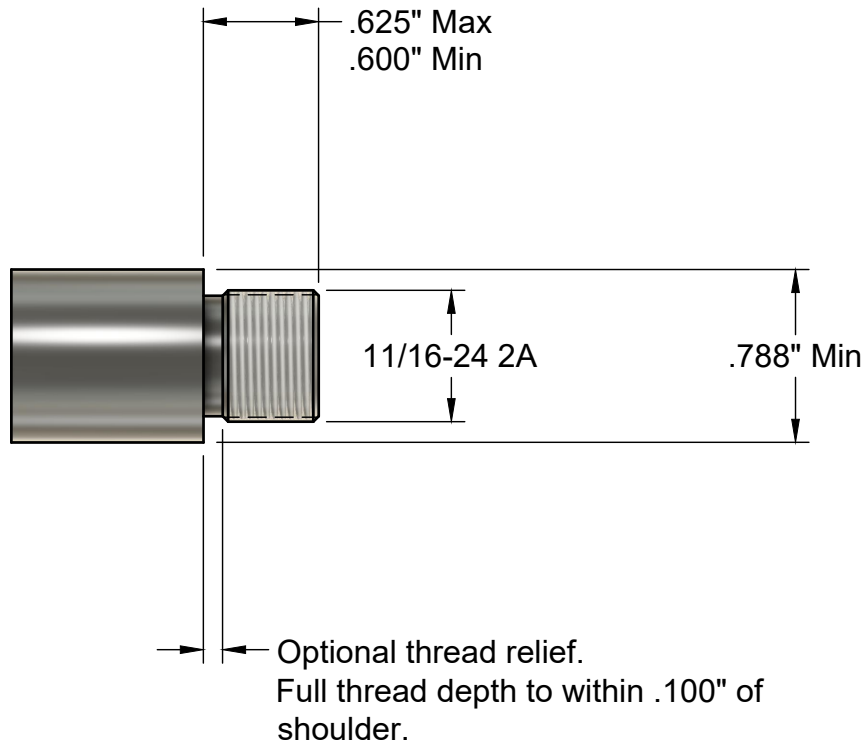
Ensure firearm is completely unloaded prior to installation.

Ensure the muzzle brake bore matches or exceeds your caliber of use.

Install muzzle brake and tighten with tensioning key, remove tensioning key from muzzle brake after tightening.

The end user is solely responsible for the safe use of the product.

11/16-24 2A
Major Diameter .6863" - .6791"
Minor Diameter .6367" Max
Pitch Diameter .6592" - .6552"



PROJECT

Spearhead muzzle brake 11/16-24

TITLE

Spearhead Machine

APPROVED

SIZE

CODE

DWG NO

REV

CHECKED

A

DRAWN

Spearhead

11/15/2021

SCALE Do not scale

WEIGHT

SHEET 1/1

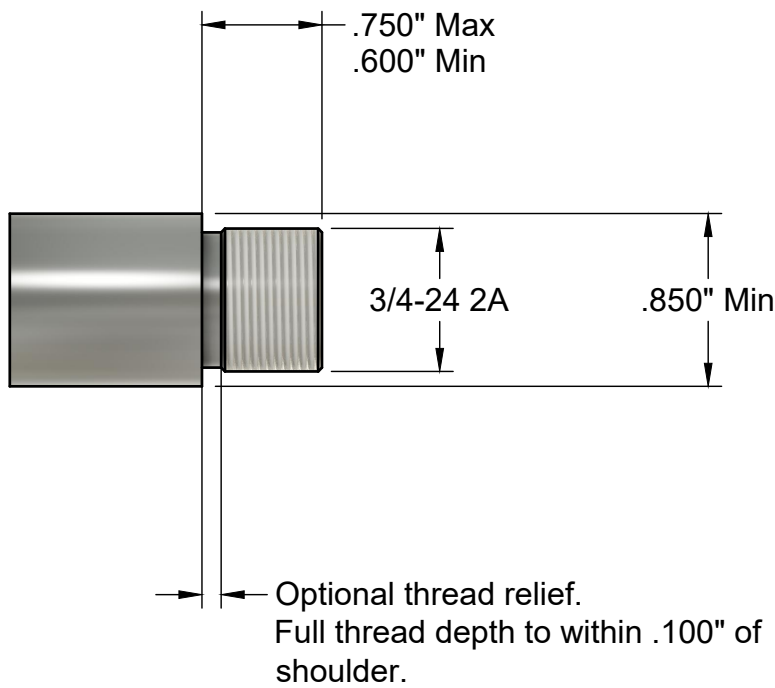
Ensure firearm is completely unloaded prior to installation.

Ensure the muzzle brake bore matches or exceeds your caliber of use.

Install muzzle brake and tighten with tensioning key, remove tensioning key from muzzle brake after tightening.

The end user is solely responsible for the safe use of the product.

3/4-24 2A
Major Diameter .7488" - .7416"
Minor Diameter .7037" Max
Pitch Diameter .7217" - .7176"



PROJECT

Spearhead muzzle brake 3/4-24

TITLE

Spearhead Machine

APPROVED

SIZE

CODE

DWG NO

REV

CHECKED

A

DRAWN

Spearhead

11/15/2021

SCALE Do not scale

WEIGHT

SHEET 1/1